

**Pompa dosatrice UG**

**POMPE**

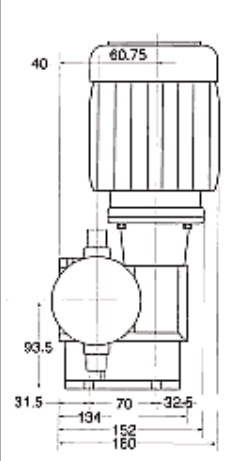
Corpo Testata Pump Head	A		B	
	01	03	01	03
10	200	245	120	120
20	130	160	120	120
25	130	160	120	120
38	130	185	125	140
48	140	190	150	150
54	225	215	150	145
64	185	215	115	145

· Doppie valvole / Double valves

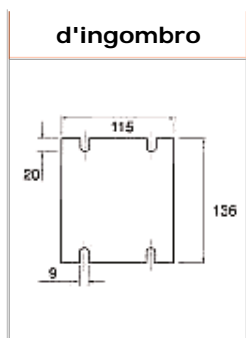
**Particolari - Parts**

Particolari/Parts	01	02	03	04	05	06	07	08	09	10	11
Corpo Testata / Pump Head	A 316	A 304	PVC	A 316	A 420	A 316	PVC	A 316	PVC	A 316	A 316
Pistone/Plunger	A 316	A 304	Ceramica	Ceramica	A 420	A 316	Ceramica	A 316	Ceramica	A 316	Ceramica
Valvole/Valves	A 316	A 304	Pyrex	A 316	A 420	A 316	Pyrex	A 316	Pyrex	A 316	A 316
Sede Valvola/Valve Seat	A 316	A 304	PVC	A 316	A 420	A 316	PVC	A 316	PVC	A 316	A 316
Guarniz. Pistone/Plunger Seal	Viton	Viton	Viton	Viton	Dutral	PTFE	PTFE	Dutral	Dutral	Silicone	Adipene

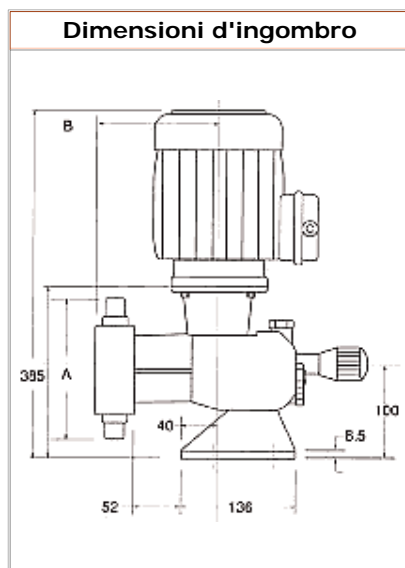
**Dimensioni d'ingombro**



**Dati Caratteristici** | **Performance**



Modello	Corsa mm	Pistone mm	Colpi al 1'	Portata max l/h	Press. max Bar 01-02	03	Affacchi 01-02	03	Motore Kw
Type	Stroke mm	Plunger mm	Speed s. per 1'	Capacity max l/h	Max. Pressure Bar 01-02	03	Connections 01-02	03	Motor Kw
UG.0	10	10	60	2.8	30 (150)**	10	3/8" Gm	3/8" Gf	0.25
UG.1	15	10	60	4.2	30 (150)**	10	3/8" Gm	3/8" Gf	0.25
UG.0	10	10	120	5.6	30 (150)**	10	3/8" Gm	3/8" Gf	0.25
UG.1	15	10	120	8.4	30 (150)**	10	3/8" Gm	3/8" Gf	0.25
UG.0	10	20	60	11.3	30 (47)**	10	3/8" Gm	3/8" Gf	0.25
UG.1	15	20	60	16.9	30 (47)**	10	3/8" Gm	3/8" Gf	0.25
UG.0	10	20	120	22	30 (47)**	10	3/8" Gm	3/8" Gf	0.25
UG.1	15	20	120	33	30 (47)**	10	3/8" Gm	3/8" Gf	0.25
UG.0	10	25	60	17	30	10	3/8" Gm	3/8" Gf	0.25
UG.1	15	25	60	26	30	10	3/8" Gm	3/8" Gf	0.25
UG.0*	10	25	120	35	30	10	3/8" Gm	3/8" Gf	0.25
UG.1	15	25	120	52	30	10	3/8" Gm	3/8" Gf	0.25
UG.0	10	38	60	40	13	10	1/2" Gm	1/2" Gf	0.25
UG.1	15	38	60	61	13	10	1/2" Gm	1/2" Gf	0.25
UG.0	10	38	120	81	13	10	1/2" Gm	1/2" Gf	0.25
UG.1	15	38	120	122	13	10	1/2" Gm	1/2" Gf	0.25
UG.0	10	48	60	64	8	8	1/2" Gm	1/2" Gf	0.25
UG.1	15	48	60	96	8	8	1/2" Gm	1/2" Gf	0.25
UG.0	10	48	120	128	8	8	1/2" Gm	1/2" Gf	0.25
UG.1	15	48	120	192	8	8	1/2" Gm	1/2" Gf	0.25
UG.0	10	54	60	82	6	6	3/4" Gf	3/4" Gf	0.37
UG.1	15	54	60	123	6	6	3/4" Gf	3/4" Gf	0.37
UG.0	10	54	120	164	6	6	3/4" Gf	3/4" Gf	0.37
UG.1	15	54	120	246	6	6	3/4" Gf	3/4" Gf	0.37
UG.0	10	64	60	115	4	4	3/4" Gf	3/4" Gf	0.37
UG.1	15	64	60	172	4	4	3/4" Gf	3/4" Gf	0.37
UG.0	10	64	120	231	4	4	3/4" Gf	3/4" Gf	0.37
UG.1	15	64	120	347	4	4	3/4" Gf	3/4" Gf	0.37



.. Valori di pressione max ammissibile con pompa non di serie.  
Le pompe vengono fornite con motore elettrico CVE Kw 0.25  
V 220/400/3/50-IP 55-CI F-Forma B 14

.. Max pressure available with not standard pumps.  
Standard electric motors are TEFC Kw 0.25  
V 220/400/3/50-IP 55-CI F-Frame B 14

**Sigla del Modello  
Pump Code**

